

Enrolling the PA on a GSDi intrusion system

1. On the system start enrolling: see GSDi installation manual for details.
2. Remove the GSDi PA button from its mounting plate.
3. Press and hold the tamper switch.
4. Wait about 5 seconds.
5. When the LED on the front lights, release the tamper switch.
 - The PA button flashes the LED to indicate it is searching for the system.
 - When it finds the system the keypad will display a message.
6. Replace the PA button on its mounting plate.
7. Secure it with the fixing screw.

Configuring the PA button

There is no special configuration required for the PA button.



Contents

Installation Diagrams 2

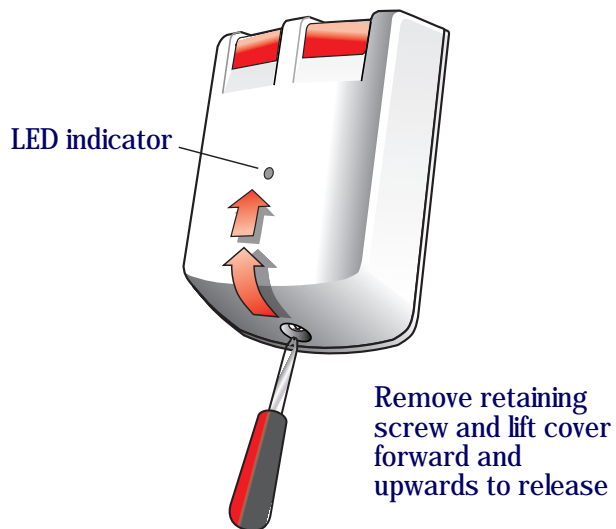
Technical Specification 3

Operation Instructions 4

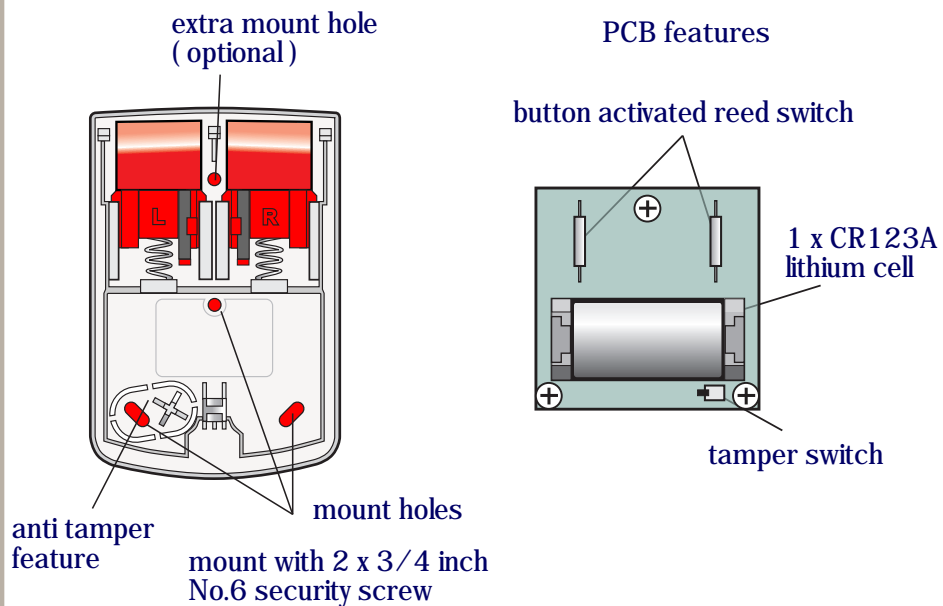
GSD))) *i70*

Grade 2 Intrusion PA Button

PA opening



PA mounting



Technical specification

	GSDi-RF-PA	
Name of manufacturer	Global Security Devices Ltd	
Description of equipment	PA button	
Standards	EN50131-1:2006 EN50131-6:2008 PD6662:2010 BS4737-3.14:1986 EN60950:2006	
Security grade	Grade 2	
Environmental class	Class II	
Operating temperature	-10°C to 40°C	
Relative humidity	Up to 75% non-condensing	
Functions	Deliberately activated push button Enclosure tamper detection Removal from mounting tamper detection Battery voltage monitor	
Options (software configurable)	None	
Inputs	None	
Signals / Indications	Condition	Signal
	Alarm	Alarm
	Tamper	Tamper
	Low Battery	Low Battery
	Total supply loss	Loss of communication
Dimensions (w d h)	65mm 32mm 96mm	
Power supply description	Type C	
Battery	CR123A lithium cell. Nominal voltage 3.0V. Low voltage indication below 2.6V. Life typically 3 years*	

* Battery life depends on detector usage. In a situation where the zone state changes frequently the battery life may be reduced.