

## Contents

Wiring Diagrams 2

Installation Instructions 3

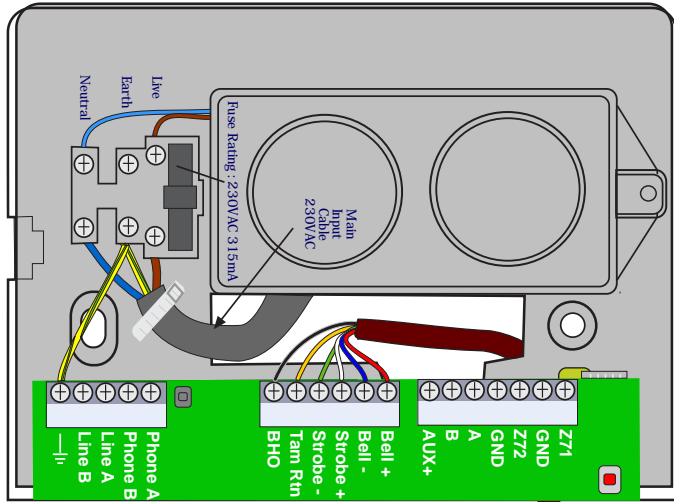
Diagnostics Mode 5

Technical Specification 6

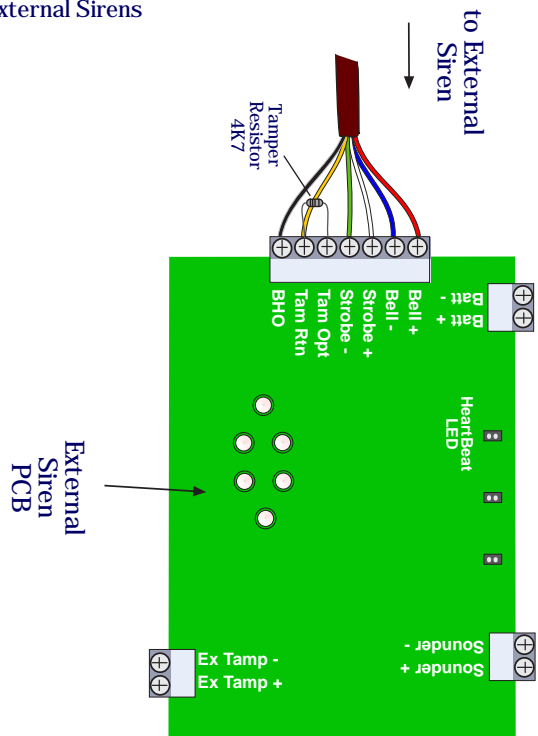
**GSD))) i70**

Grade 2 Intrusion External Siren

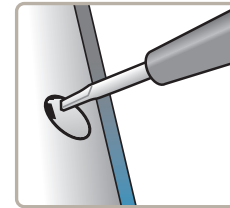
Wiring External-Siren



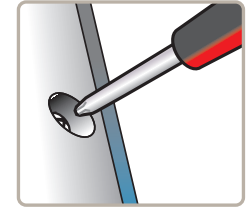
Supports third party Wired External Sirens



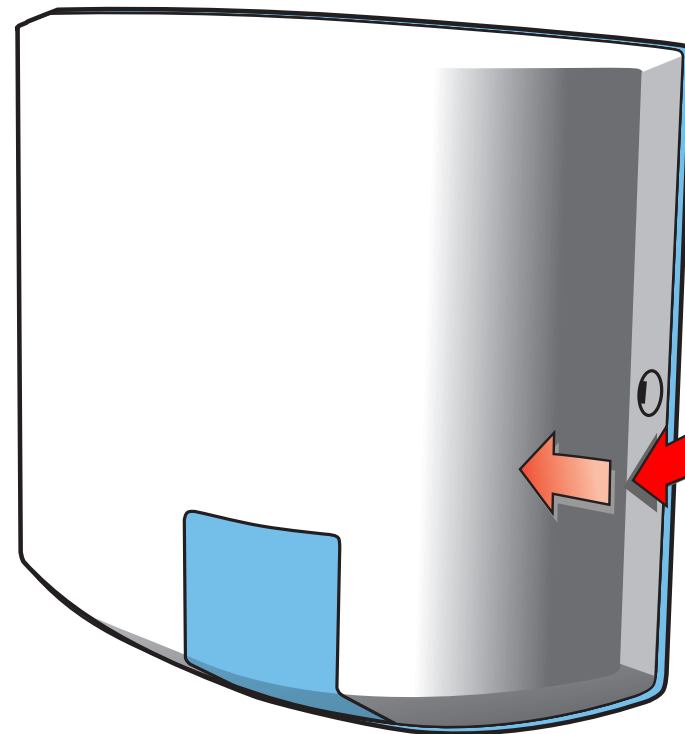
External Siren opening



remove screw cap



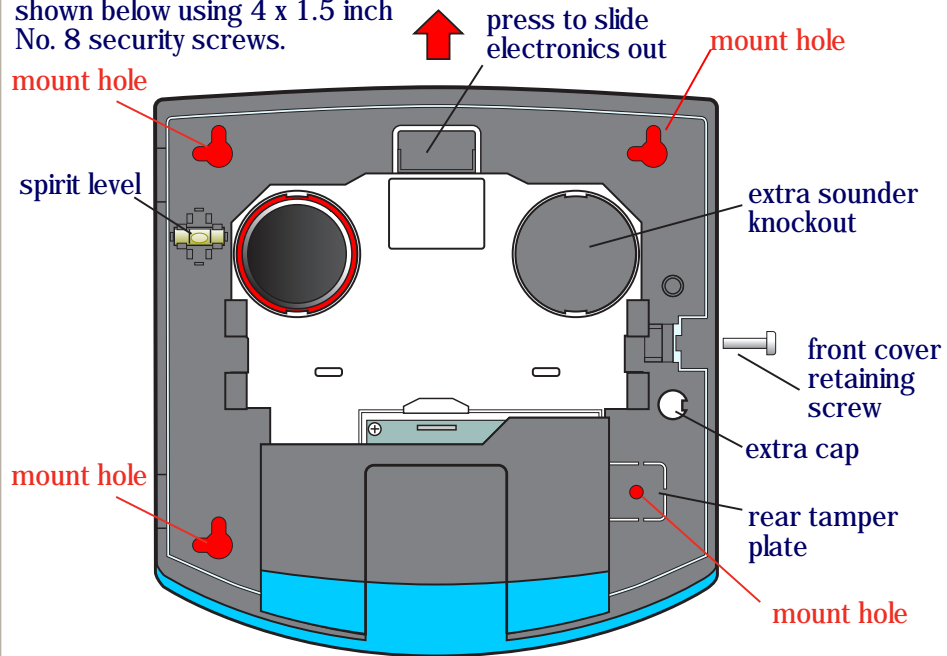
remove retaining screw



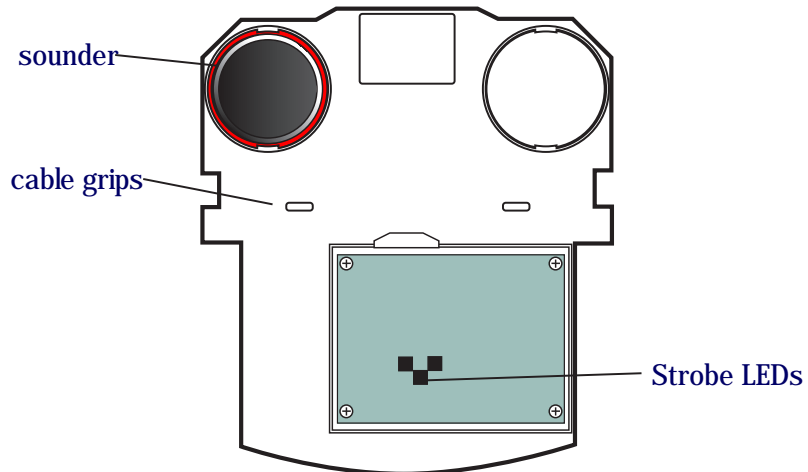
to remove cover pull forward on the right and slide the cover left

## External Siren mounting

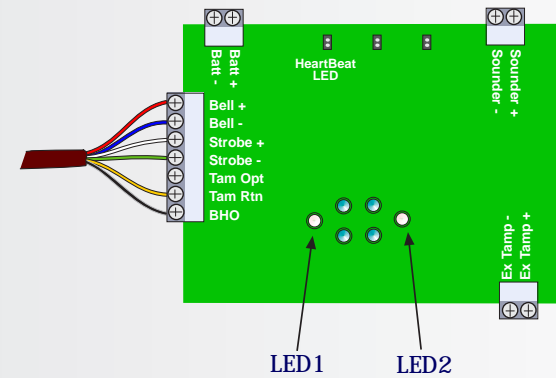
mount the siren using mount hole shown below using 4 x 1.5 inch No. 8 security screws.



## electronics tray

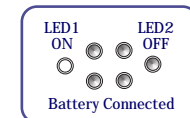


## Diagnostics - on power-up

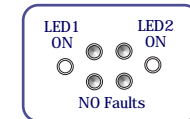


When the Battery is connected the Siren will start diagnostics mode. LED1 and LED2 will indicate any fault conditions.

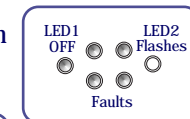
1. Connect the Battery. LED1 switches on/off.
2. Sounder chirps



No Faults: LED1 and LED2 switch ON for 3 seconds then switches OFF.



Faults: LED2 switches ON/OFF to indicate a fault then switches OFF.



Lid Tamper - LED2 flashes 1 time  
Back Tamper - LED2 flashes 2 times  
Ext. Tamper - LED2 flashes 3 times

Note: When the Siren is connected to the Panel, diagnostics mode will start again and continue to indicate any faults for 5 minutes. After this time the Siren will operate in normal mode.

## Technical specification

	GSDi-W-ESB	
Name of manufacturer	Global Security Devices Ltd	
Description of equipment	Self Powered External Siren ( WD type W )	
Standards	EN50131-1:2006 EN50131-4:2009 PD6662:2010 BS8243:2010 EN60950:2006	
Security grade	Grade 2	
Environmental class	Class III	
Operating temperature	-25°C to 50°C	
Relative humidity	Up to 75% non-condensing	
Functions	85 - 95% non-condensing for 30 days per year Intrusion siren Enclosure tamper detection Removal from mounting tamper detection Battery voltage monitor	
Options (software configurable)	Enable heartbeat LEDs	
Inputs	None	
Signals / Indications	Condition	Signal
	Tamper	Tamper
Dimensions ( w d h )	260mm 65mm 260mm	
Power supply description	Type A	
Power Supply Input	50mA max Silent 500mA max Sounding	
Battery	7 NiMH cellpack, 80% charge 32h	
Type of acoustic output	Siren tone	
Maximum sound duration time	15 minutes continuous siren	
Settings required to comply with EN50131	Siren volume must be set to maximum.	

## Installation Notes