

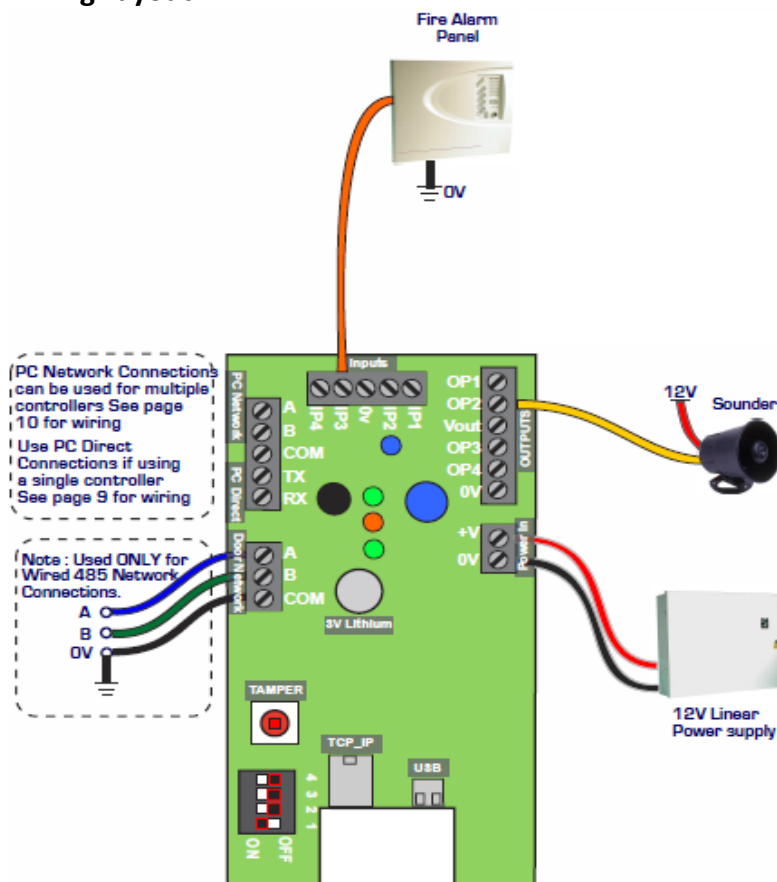
## GSD Wi-Plus Controller



### Main Features

- Uses Wi-Plus range of Door Controls
- Supports Wireless or RS485 Networks
- 60 Doors per System
- 15 Doors per Controller
- 5000 Users (Card/Fob, PIN, Fingerprint)
- Can Use GSD, ACT, HID & Paxton Cards/Fobs
- 16 User Groups
- 16 Time Zones
- USB, TCP/IP Network, RS232 & Serial RS485
- Database encryption for maximum security
- Reporting Facility in .pdf and .csv formats for:
  - Time & Attendance
  - Event History
  - User Activity
- Challenge facility
- Unlimited Log
- On Board Tamper protection
- Tamper Input extendable to Intruder Panel
- Easy Programming via GSD Software
- Standard, Toggle & Manager Users
- Intruder & Fire Alarm Interface
- Interlock
- 4 Programmable Inputs & Outputs
- Key Programmable Features:
  - Door Timers
  - Timed Actions
  - Door Options
  - Alarm Options
  - User Groups
  - Door Groups
  - Time Zones
  - Number of PIN code Digits
  - Programming Code
- Robust Polycarbonate Housing
- 2 Year Warranty.
- Upgradable to GSD Wi-Enterprise Access Control using the same Wi-Plus family of door controls.

### Wiring Layout



### Technical Specification

- Power Supply 12 DC
- Current consumption 120mA
- Current consumption with load (max) 160mA
- Moisture Resistance Indoor Use Only
- Dimensions **W.** 135mm **D.** 46mm **H.** 200mm